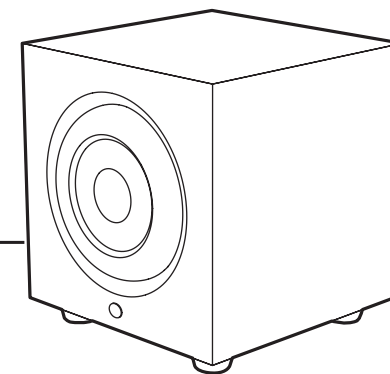


LINN

# MAJIK 126

**BASS REINFORCEMENT LOUDSPEAKER**



OWNER'S MANUAL

# IMPORTANT SAFETY INSTRUCTIONS

Explanation of symbols used in this manual or on the rear/underside of the apparatus:

This symbol is intended to alert the user to the presence of uninsulated dangerous voltages within the enclosure of sufficient magnitude to cause electric shock.



This symbol is intended to alert the user to the presence of important operation, maintenance and servicing information in the instruction and service manuals.



**For apparatus connected to the mains electricity supply**

## **CAUTION**

- **To reduce the risk of electric shock do not remove the cover.**
- **No user serviceable parts inside.**
- **Refer servicing to qualified service personnel.**
- **Replace the mains fuse in the plug with one of the same type and rating.**
- **Disconnect supply cord before changing fuse.**

## **WARNING**

**To reduce the risk of fire or electric shock do not expose this apparatus to rain or moisture. Shock hazard - do not open.**

**This appliance should be connected to a mains socket with a protective earth connection.**

## General Safety Instructions

1. **Read these instructions.**
2. **Keep these instructions.**
3. **Heed all warnings.**
4. **Follow all instructions.**
5. **Do not use the apparatus near water**, for example, near a bathtub, washbowl, kitchen sink, laundry tub, in a wet basement, near a swimming pool etc.
6. **Clean only with dry cloth.**
7. **Do not block any ventilation openings. Install in accordance with the manufacturer's instructions.** Site the apparatus so that its location or position does not interfere with its proper ventilation. For example, the apparatus should not be situated on a bed, sofa, rug, or similar surface that may block the ventilation openings, or placed in a built in installation such as a bookcase or cabinet that may impede the flow of air through the ventilation openings.
8. **Do not install near any heat sources such as radiators, heat registers, stoves, or other apparatus (including amplifiers) that produce heat.**
9. **Do not defeat the safety purpose of the polarised or grounding type plug.** A polarised plug has two blades with one wider than the other. A grounding type plug has two blades and a third grounding prong. The wide blade or the third prong is provided for your safety. If the provided plug does not fit into your outlet, consult an electrician for replacement of the obsolete outlet.
10. **Protect the power cord from being walked on or pinched particularly at plugs, convenience receptacles, and at the point where they exit from the apparatus.**
11. **Only use attachments/accessories specified by the manufacturer.**
12. **Use only with the stand, tripod, bracket, or table specified by the manufacturer, or sold with the apparatus.**
13. **Unplug this apparatus during lightning storms or when unused for long periods of time.**
14. **Refer all servicing to qualified service personnel.** Servicing is required when the apparatus has been damaged in any way, such as power-supply cord or plug has been damaged, liquid has been spilled or objects have fallen into the apparatus, the apparatus has been exposed to rain or moisture, does not operate normally, or has been dropped.
15. **Wall or ceiling mounting.** Mount the apparatus to a wall or ceiling only as recommended by the manufacturer.
16. **Power sources.** Connect the apparatus to a power supply only of the type described in the operating instructions or marked on the apparatus.
17. **Mains plug.** Use the mains plug to disconnect the apparatus from the mains supply. The mains plug must be accessible at all times. Use the mains switch (if applicable) when the apparatus is not in use.
18. **Power lines.** An outdoor antenna should be located away from power lines.
19. **Outdoor antenna grounding.** If an outdoor antenna is connected to the apparatus, ensure that the antenna system is grounded to provide some protection against voltage surges and static build up. In the USA see article 810 of the National Electrical Code ANSI/NFPA 70 concerning installation requirements.
20. **Telephone line.** Do not connect the apparatus to a telephone line except where specifically instructed to do so.
21. **Objects and liquid entry.** Do not let objects or liquids fall into the apparatus. Do not expose the apparatus to dripping or splashing. Do not place a vessel containing liquid on top of the apparatus.
22. **No naked flame sources, such as lighted candles, should be placed on the apparatus.**
23. **The apparatus has been designed for use in moderate and tropical climates.**

## CE Declaration of Conformity

Linn Products Ltd declare that this product is in conformance with the Low Voltage Directive 73/23/EEC and Electromagnetic Compatibility 89/336/EEC as amended by 92/31/EEC and 93/68/EEC.

The conformity of the designated product with the provisions of Directive number 73/23/EEC (LVD) is proved by full compliance with the following standards:

Standard number	Date of issue	Test type
EN60065	2002	General requirements Marking Hazardous radiation Heating under normal conditions Shock hazards under normal operating conditions Insulation requirements Fault conditions Mechanical strength Parts connected to the mains supply Components Terminal devices External flexible cords Electrical connections and mechanical fixings Protection against electric shock Stability and mechanical hazards Resistance to fire

The conformity of the designated product with the provisions of Directive number 89/336/EEC (EMC) is proved by full compliance with the following standards:

Standard number	Date of issue	Test type
EN55013	2001	Conducted emissions
EN55013	2001	Absorbed emissions
EN55020	2002	Immunity

## FCC notice

**Note:** This equipment has been tested and found to comply with the limits for a Class B digital device, pursuant to Part 15 of the FCC Rules. These limits are designed to provide reasonable protection against harmful interference in a residential installation. This equipment generates, uses and can radiate radio frequency energy and, if not installed and used in accordance with the instructions, may cause harmful interference to radio communications. However, there is no guarantee that interference will not occur in a particular installation. If this equipment does cause harmful interference to radio or television reception, which can be determined by turning the equipment off and on, the user is encouraged to try to correct the interference by one or more of the following measures:

- Reorient or relocate the receiving antenna.
- Increase the separation between the equipment and receiver.
- Connect the equipment into an outlet on a circuit different from that to which the receiver is connected.
- Consult the dealer or an experienced radio/TV technician for help.

## Waste Electrical and Electronic Equipment (WEEE) Directive

### Waste Electrical and Electronic Equipment Directive Directive 2002/96/EC of the European Parliament and of the Council

The symbol (right) is shown on this product. It indicates that the product should not be disposed of with regular household waste, but should be disposed of separately.



Electrical and electronic equipment can contain materials that are hazardous to the environment and human health and therefore should be disposed of at a designated waste facility or returned to your retailer for the appropriate recycling to take place (see [www.linn.co.uk](http://www.linn.co.uk) for further information).

If you wish to dispose of this product and the product still functions, please consider recycling/reusing it by donating it to a charity shop, selling it or part-exchanging it with your retailer.

## Copyright and Acknowledgements

Copyright © 2009 Linn Products Ltd. First edition February 2009.

Linn Products Limited, Glasgow Road, Waterfoot, Eaglesham, Glasgow, G76 0EQ, Scotland, United Kingdom

All rights reserved. No part of this publication may be reproduced, stored in a retrieval system, or transmitted, in any form or by any means, electronic, mechanical, photocopying, recording, or otherwise, without the prior written permission of the publisher.

The content of this manual is furnished for information use only, is subject to change without notice, and should not be construed as a commitment by Linn Products Limited. Linn Products Limited assumes no responsibility or liability for any errors or inaccuracies that may appear in this manual.

Trade marks used in this publication: **Linn** and the **Linn logo** are registered trade marks of Linn Products Limited. **Majik**, **Chakra** and **Aktiv** are trade marks of Linn Products Limited.

The information in this manual is furnished for informational use only, is subject to change without notice, and should not be construed as a commitment by Linn Products Limited. Linn Products Limited assumes no responsibility or liability for any errors or inaccuracies that may appear in this manual.

Printed in the United Kingdom.

Pack 1503

# CONTENTS

<b>INTRODUCTION</b>	<b>1</b>
<b>INSTALLATION</b>	<b>2</b>
Quickstart	2
Unpacking	2
Positioning	2
Cleaning	2
Connecting	3
<b>OPERATION</b>	<b>4</b>
Operating Modes	4
Parameters	4
<b>TECHNICAL SPECIFICATONS</b>	<b>6</b>
<b>GUARANTEE AND SERVICE</b>	<b>7</b>

# INTRODUCTION

Linn's Majik 126 is a compact yet powerful bass reinforcement loudspeaker designed for high fidelity music, home cinema and multi-room applications. Majik 126 features fully integrated Chakra power amplification, delivering 1 kW at peak power output (500 W RMS). Majik 126 combines clean, pitch-accurate extended low-frequency performance with installation versatility and a discreet appearance.

Majik 126 is the perfect partner for any of the fantastic products in Linn's Majik range. Majik 126 is equally adept completing a home cinema surround sound system or, in a pure stereo system, extending bass alongside bookshelf loudspeakers or reinforcing the bass provided by larger floor-standing loudspeakers.

# INSTALLATION

## Quickstart

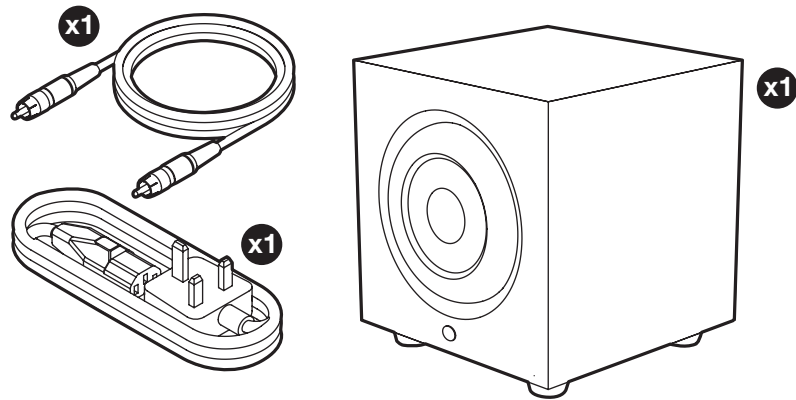
Please refer to the supplied Majik 126 Quickstart Guide for basic instructions on unpacking and connecting.

## Unpacking

The Majik 126 bass reinforcement speaker is heavy: take care when removing it from its packaging.

The Majik 126 speaker is supplied with the following accessories:

- mains lead
- phono lead



We recommend that you retain the packaging in case you need to transport your loudspeakers at a later date.

## Positioning

The Majik 126 speaker can be placed anywhere you find convenient but please consider the following points:

- The Majik 126 speaker is best suited to be positioned on a floor, not a table, shelf etc. It is heavy and must be stably supported.
- For best results, position your Majik 126 speaker as close as possible to either your left front or right front speaker.
- Bass notes will be accentuated if the Majik 126 speaker is positioned close to a wall or in a corner.
- Experimenting with the position will be necessary in order to match the sound of the Majik 126 speaker with other speakers in your system and the acoustics of the room.

## Cleaning

Disconnect the Majik 126 speaker from the power supply before cleaning. Remove dust and fingerprints from the cabinet with a soft, dry, lint-free cloth. Avoid using domestic cleaning products on the cabinet as they may damage the veneer.

### **IMPORTANT:**

Do not attempt to remove the metal grille covering the driver.



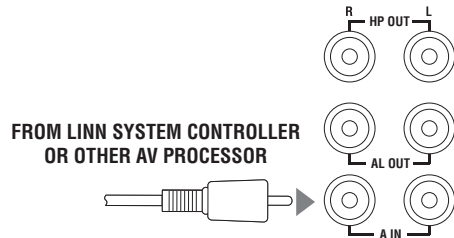
## Connecting

Connect the Majik 126 speaker to a mains supply using the mains lead provided.

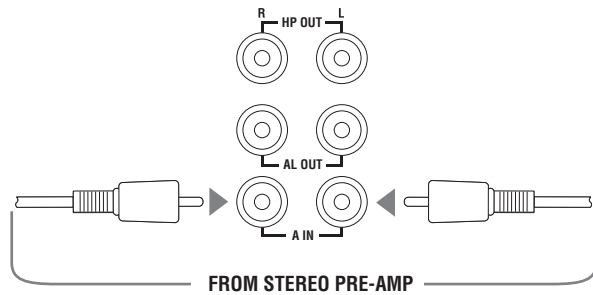
### IMPORTANT:

Do not turn on the mains supply until you have connected all other components.

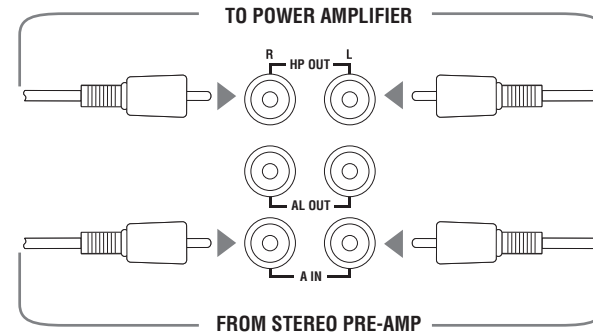
### Connecting to a Linn System Controller or other AV processor



### Connecting to a stereo pre-amplifier if used with large (full-range frequency response) speakers, for example Majik 140 or 109 speakers.



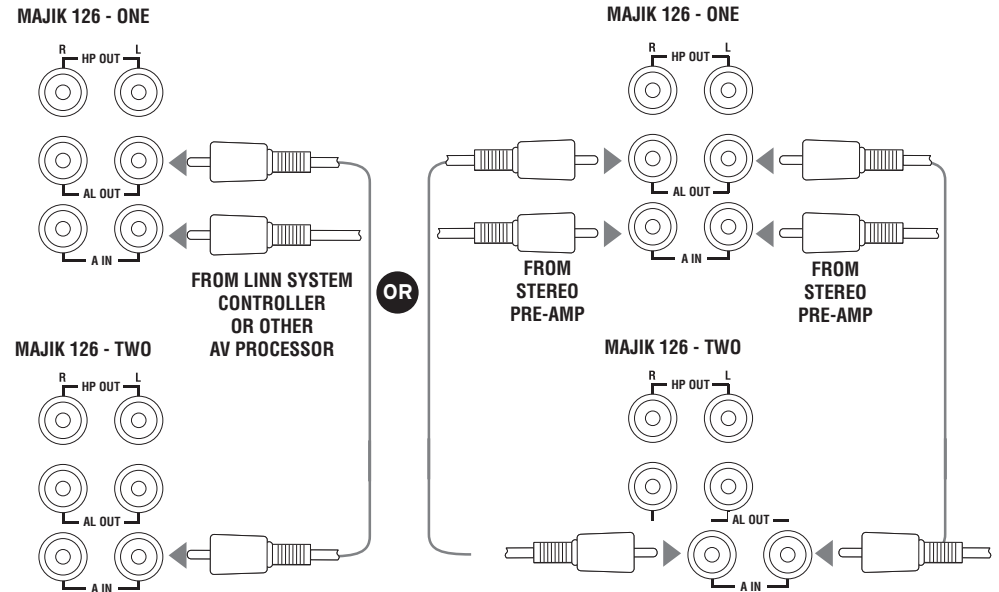
### Connecting to a stereo pre-amplifier and power amplifier if used with 'small' (limited bass response) speakers.



### Note:

In the above configuration the Majik 126 speaker is being used to stop low bass notes from being sent to the main speakers.

### Connecting to another Majik 126 speaker



# OPERATION

When you have made all the required connections, switch on the mains supply. Flashing bars will be shown on the back panel display for approximately 5 seconds. During this time no audio will be issued. When the display changes to show the standby symbol (see table below), the speaker is ready to receive an audio signal.

Whenever the Majik 126 speaker is disconnected from the mains supply and then reconnected, wait until the standby symbol appears on the display before playing a disc.

## Operating modes

### Key to symbols

SYMBOL	MODE	MEANING
◆	Standby	The unit is waiting for an audio signal In this mode the unit consumes minimal power.
—	On	The unit is fully powered-up The unit will enter this mode as soon as it receives an audio signal.
⌚	Thermal Standby	The unit has overheated During very demanding, sustained use the unit will go into Thermal Standby mode in order to allow itself to cool down. When in this mode the unit will not produce any sound. The unit will return to On mode when its temperature has dropped to its operating level.

## Parameters

The Majik 126 speaker is equipped with eight adjustable parameters (see next page) that enable you to alter its performance to suit your taste.

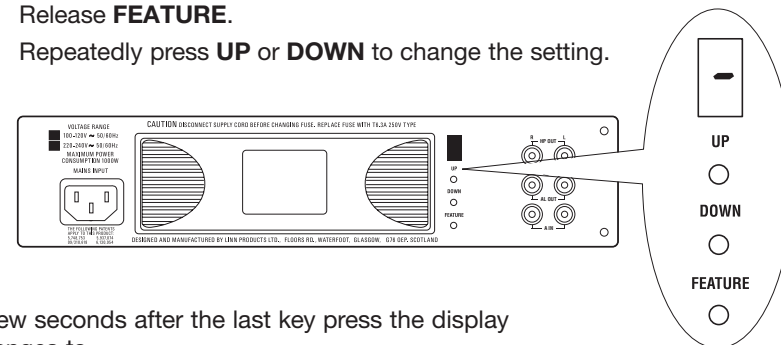
Note:

The parameters can only be adjusted when the Majik 126 speaker is not in standby mode.

## Adjusting the Parameters

To select the parameter you wish to adjust:

- Hold **FEATURE**
- Repeatedly press **UP** or **DOWN** until the letter for the desired parameter appears.
- Release **FEATURE**.
- Repeatedly press **UP** or **DOWN** to change the setting.



A few seconds after the last key press the display changes to —

To restore the default settings:

- Disconnect the **Majik 126** speaker from the mains supply and wait for the display to go blank.
- While holding **FEATURE** reconnect the mains supply.
- Continue to hold **FEATURE** until the display shows **H**

A few seconds after releasing **FEATURE** the display changes to —

## Description and available settings for parameters

Default settings are shown in grey.

Parameter	Symbol	0	1	2	3	4	5	6	7	8	9
<b>External high pass frequency.*</b> Increasing the setting reduces the bass content sent to the external loudspeakers. (Hz)	H		10	50	75	100	115	135	160	190	235
<b>Internal high pass frequency.</b> Increasing the setting raises the lowest frequency produced by the unit. (Hz)	U		18	22	25	30	34	40			
<b>Internal low pass frequency.**</b> Increasing the setting raises the highest frequency produced by the unit. Reducing the setting lowers the highest frequency produced by the unit. (Hz)	L		55	85	130	No filtering					
<b>Coarse gain.</b> Every one step increase in the setting raises the gain (volume) of the loudspeaker by 5 decibels. Every one step decrease in the setting lowers the gain (volume) of the loudspeaker by 5 decibels. (dB)	G		-15	-10	-5	0	+5	+10	+15		
<b>Fine gain.</b> Every one step increase in the setting raises the gain (volume) of the loudspeaker by 1 decibel. (dB)	F	0	+1	+2	+3	+4					

Parameter	Symbol	0	1	2	3	4	5	6	7	8	9
<b>Bass equalisation.</b> Every one step increase in the setting applies an additional 3dBs at 30 Hz and below. (dB@30 Hz)	b	0	+3	+6							
<b>Time out.</b> Length of time before unit will go into standby after audio input ceases. (mins)	T	Always on	5	10	20						
<b>Phase.</b> Depending on the position of the Majik 126 loudspeaker relative to others in the system, better performance may be achieved by changing this setting.	P	normal (0°)	inverted (180°)								

\* Only for use when the Majik 126 speaker is connected to a power amplifier (see *Connecting* section in this chapter).

\*\* If you are using the Majik 126 speaker with a Linn System Controller or other AV processor, set to 4 (No filtering).

# TECHNICAL SPECIFICATIONS

Pitch-accurate bass reinforcement loudspeaker with integral active amplification and equalisation circuitry.

<b>Features</b>	Active bass loudspeaker. 500 W RMS built-in amplifier incorporating Chakra technology. Adjustable 2nd order roll-off for seamless system integration. 25 litres operating volume. Signal sensing auto switch on/off for energy conservation.
<b>Drive unit</b>	254 mm (10")
<b>Output Power</b>	500 W RMS, 1000 W PEAK
<b>Operating volume</b>	25 litres
<b>Internal Frequency Response</b>	Adjustable roll-off from 55 Hz - 130 Hz in 3 steps and flat (to allow external low pass filtering). Default is 55 Hz
<b>High Pass Filtered Output Frequency Response</b>	Adjustable from 10 Hz - 235 Hz in 9 steps. Default is 10 Hz.
<b>Audio Connections</b>	Line level audio input RCA phono (A IN) Line level audio loop out RCA phono (AL OUT) Line level high pass output RCA phono (HP OUT)
<b>Line Input Impedance</b>	18 k $\Omega$
<b>Parameter Adjustment</b>	<ul style="list-style-type: none"> <li>- 4 step internal low pass frequency @ 55, 85, 130 Hz and flat</li> <li>- 6 step internal high pass frequency from 18 Hz - 40 Hz</li> <li>- 9 step external high pass frequency fro 10 Hz - 235 Hz</li> <li>- Gain adjustable 34 dB in 1 dB steps (-15 to +19 dB)</li> <li>- 3 step Bass equalisation</li> <li>- 4 step Time out (standby time after signal end), including 'Always On'</li> </ul>
<b>Magnetic shielding</b>	Yes
<b>Protection</b>	Fully protected against overload, temperature, full short circuit and overdrive
<b>Mains Input voltage (auto-sensing)</b>	100 - 120 V 220 - 240 V
<b>Mains Supply Frequency</b>	50 - 60 Hz
<b>Standby Power Consumption</b>	9 W
<b>Dimensions</b>	H 391 mm (including feet) x W 360 mm x D 381 mm H 15.4 inches (including feet) x W 15 inches x D 14.1 inches
<b>Weight</b>	19 kg / 41 lbs 14 oz
<b>Standard finishes</b>	White, Maple, American Cherry, Black Ash

# GUARANTEE AND SERVICE

This product is guaranteed under the conditions which apply in the country of purchase and your statutory rights are not limited. In addition to any statutory rights you may have, Linn undertake to replace any parts which have failed due to faulty manufacture. To help us, please ask your Linn retailer about the Linn warranty scheme in operation in your country.

In parts of Europe, the United States of America and some other markets, extended warranty may be available to customers who register their purchase with Linn. You can register your warranty online at [www.linn.co.uk](http://www.linn.co.uk).

## **WARNING**

Unauthorised servicing or dismantling of the product invalidates the manufacturer's warranty. There are no user serviceable parts inside the product and all enquiries relating to product servicing should be referred to authorised retailers only.

## **Technical support and information**

For technical support, product queries and information, please contact either your local retailer or Linn Products directly.

Full details of your local retailer/distributor can be found on the Linn web site: [www.linn.co.uk](http://www.linn.co.uk).

## **Important**

Please keep a copy of the sales receipt to verify the purchase date of the product.

Please ensure that your equipment is insured by you during any transit or shipment for repair.

## **Linn Products Limited**

Glasgow Road, Waterfoot, Eaglesham, Glasgow G76 0EQ, Scotland, UK

**Phone:** +44 (0)141 307 7777

**Fax:** +44 (0)141 644 4262

**Helpline:** 0500 888 909

**Email:** [helpline@linn.co.uk](mailto:helpline@linn.co.uk)

**[www.linn.co.uk](http://www.linn.co.uk)**

